
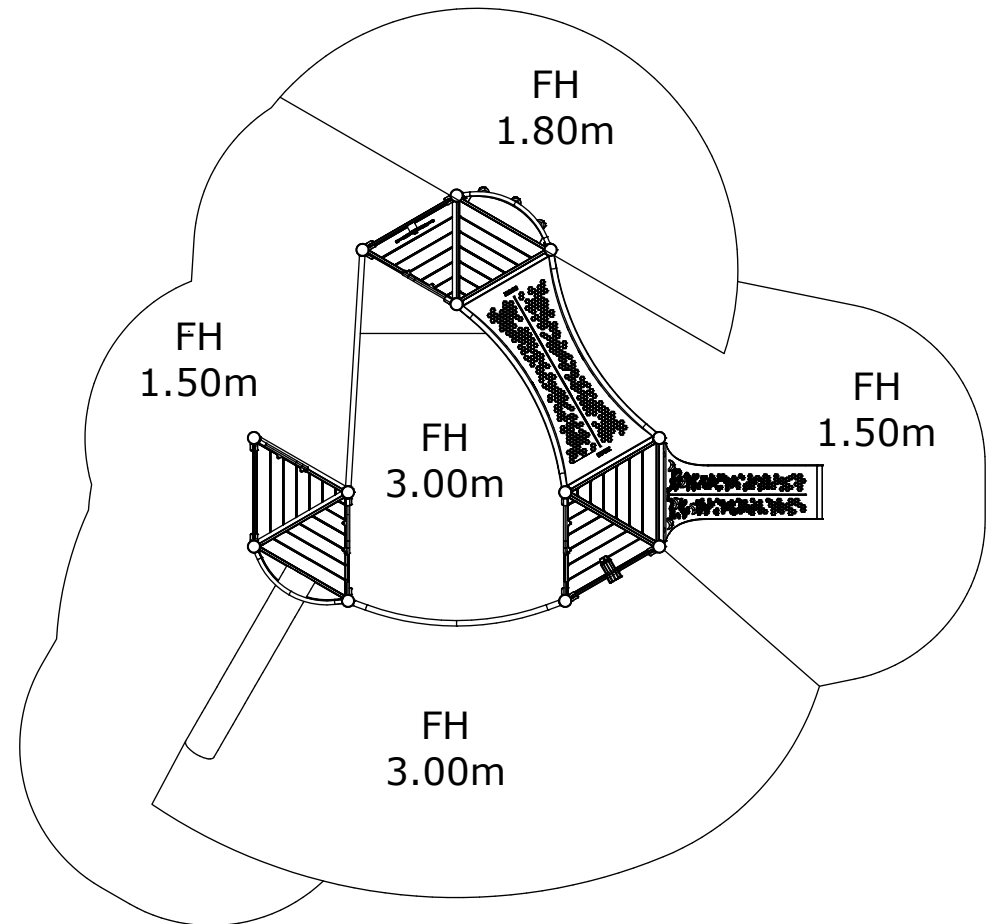
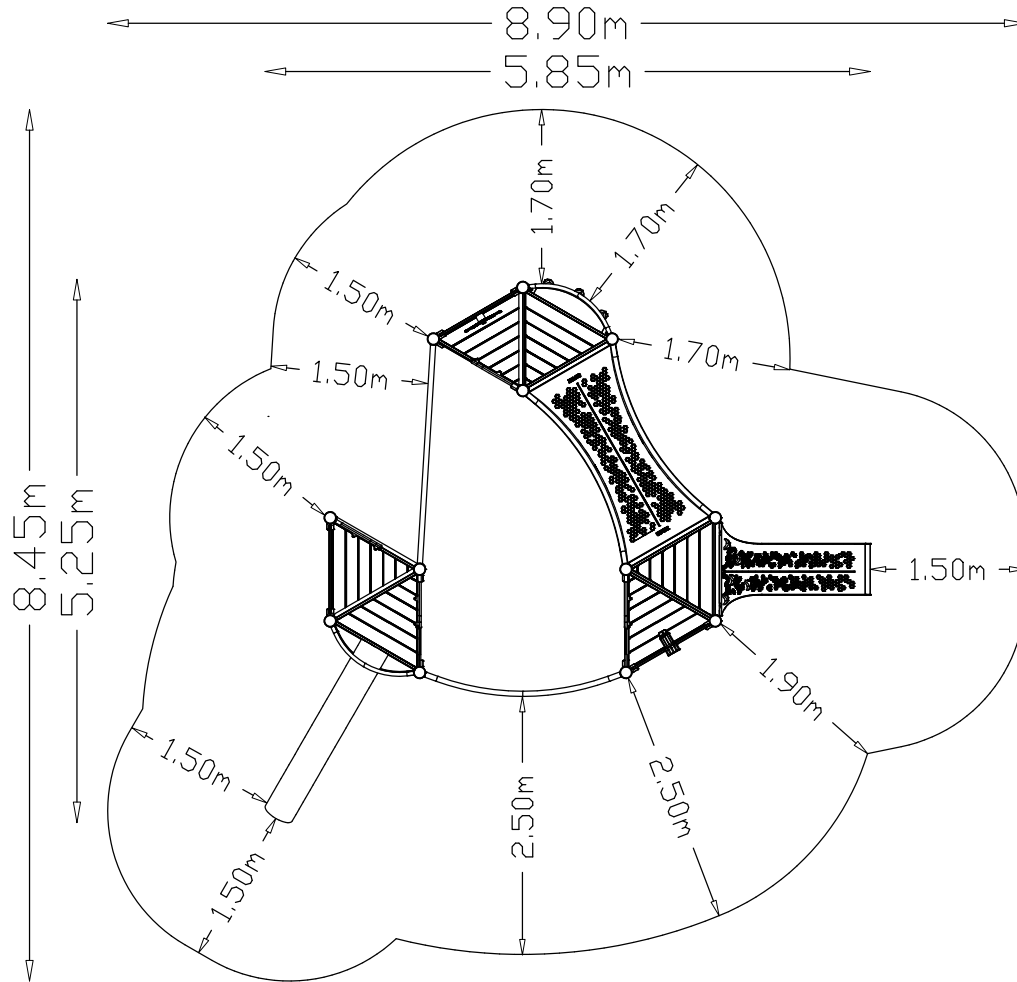


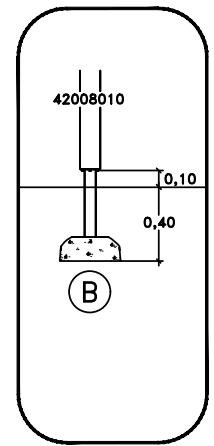
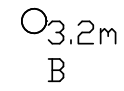
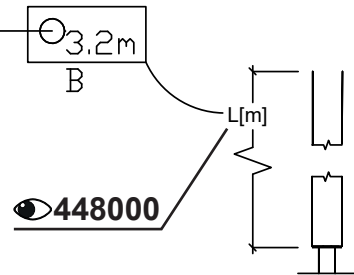
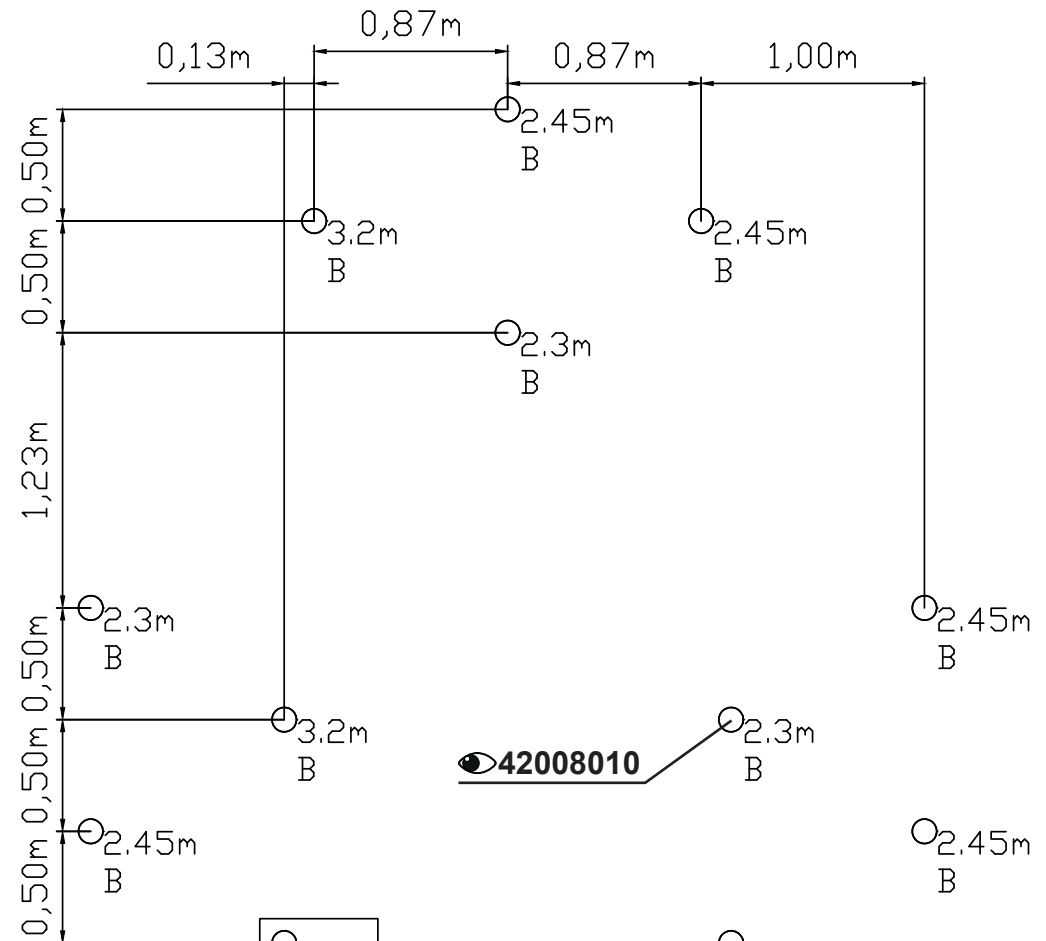
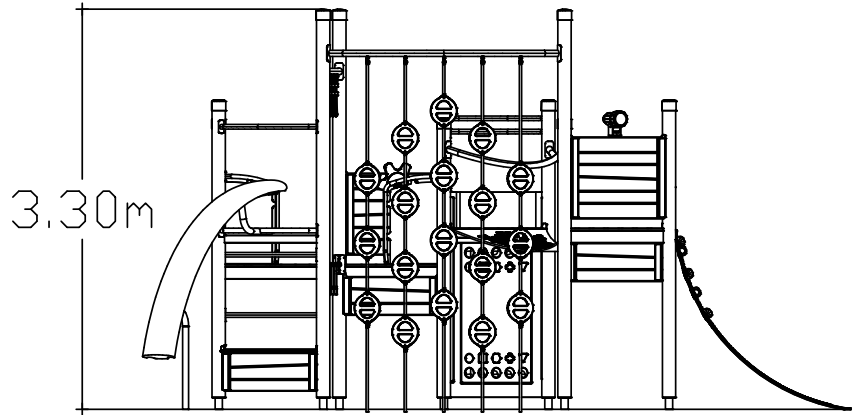
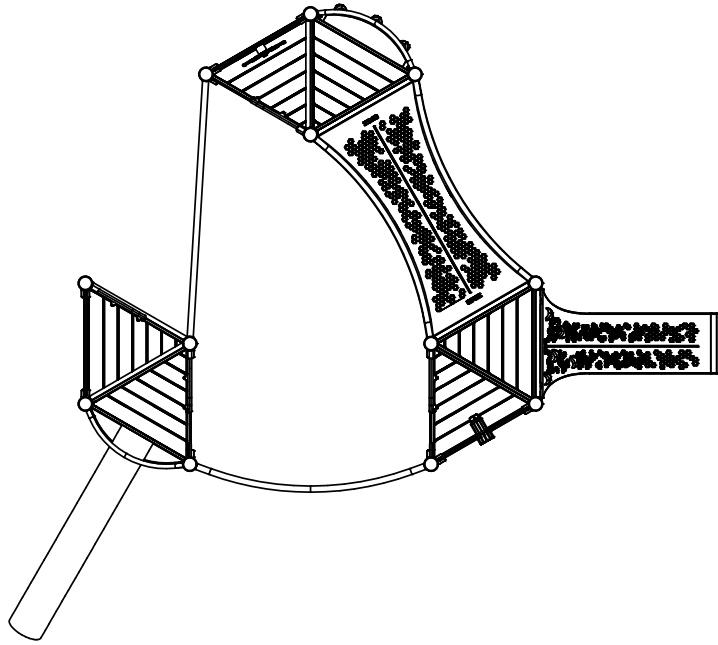
S6

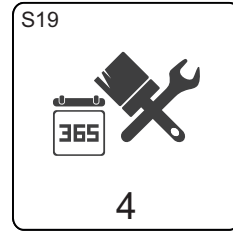
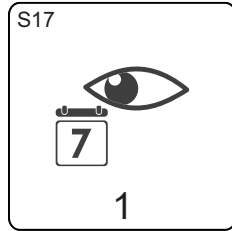
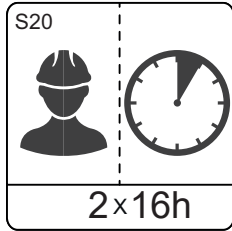
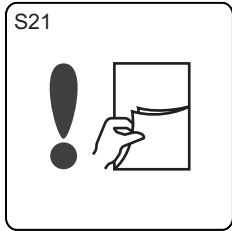


EN1176
3.00m

EN1176



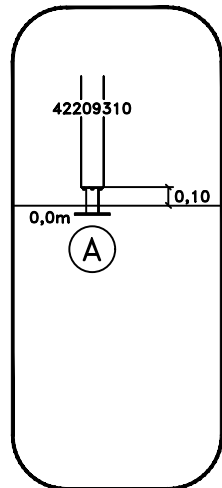




260329
426162
448000
42008010
426 200
42093813

MASW35156
MASW35330
MASW37088
MASW37418
MASW37421
MASW37573
MASW39102
MASW39686
MASW39775
MASW39776
MASW67845
MASW68012
MASW68252
MASW68658
MASW68659
MASW85731

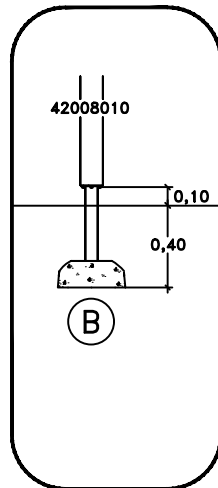
42008010



Above Ground

OM

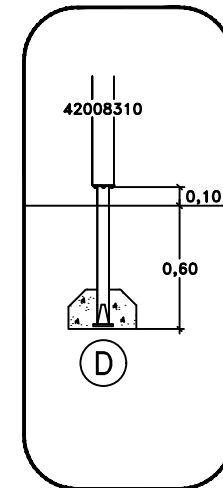
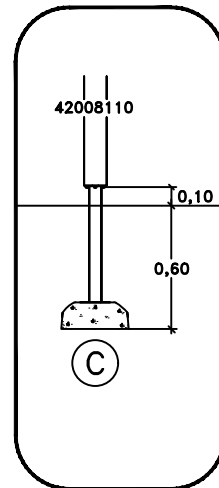
8071541
 8071545
 8071551



Sunken Foundation

S

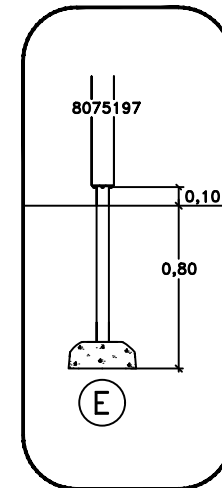
8071533
 8071544
 8071548



Cast In Place

CC

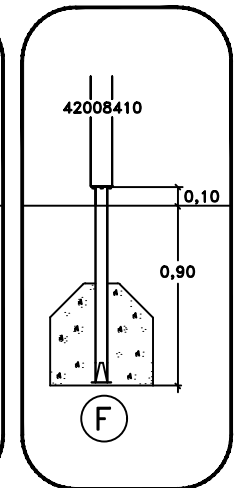
8071542
 8071546
 8071554

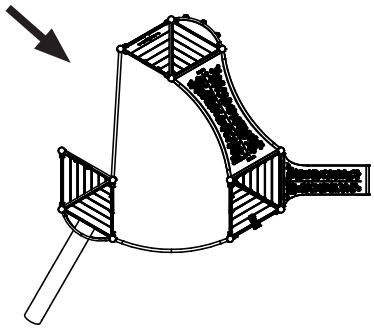



Loosefill

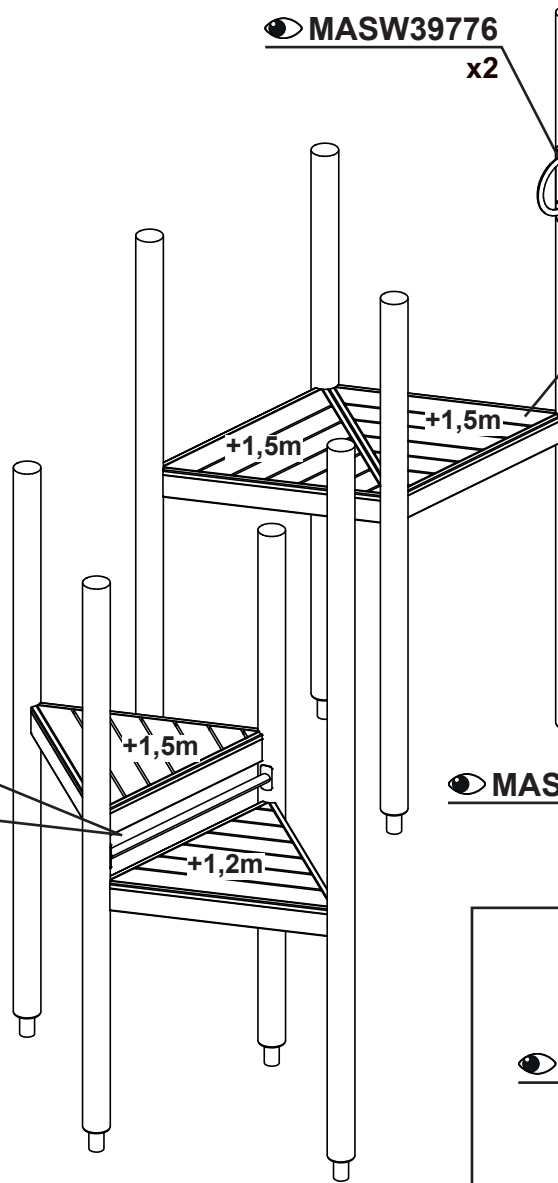
BM

8071543
 8071547
 8071555






 **MASW37573**
 +1,30m

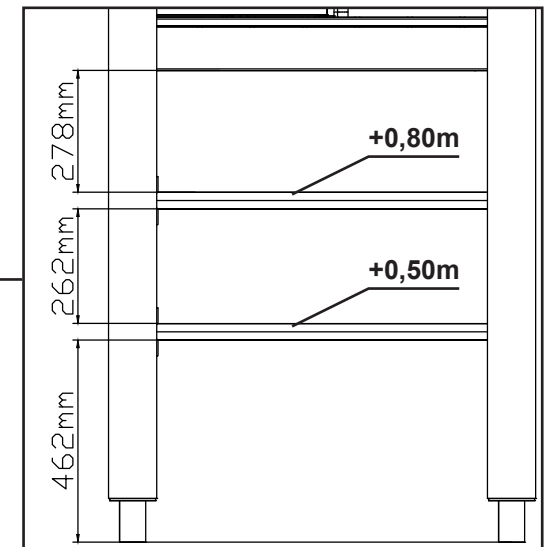
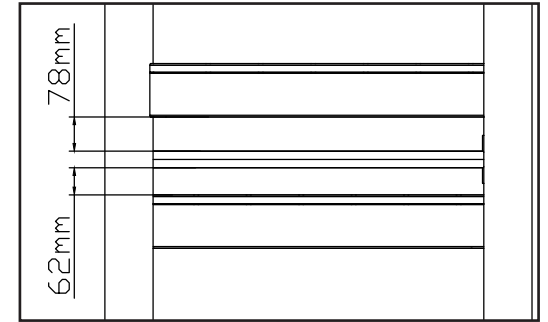


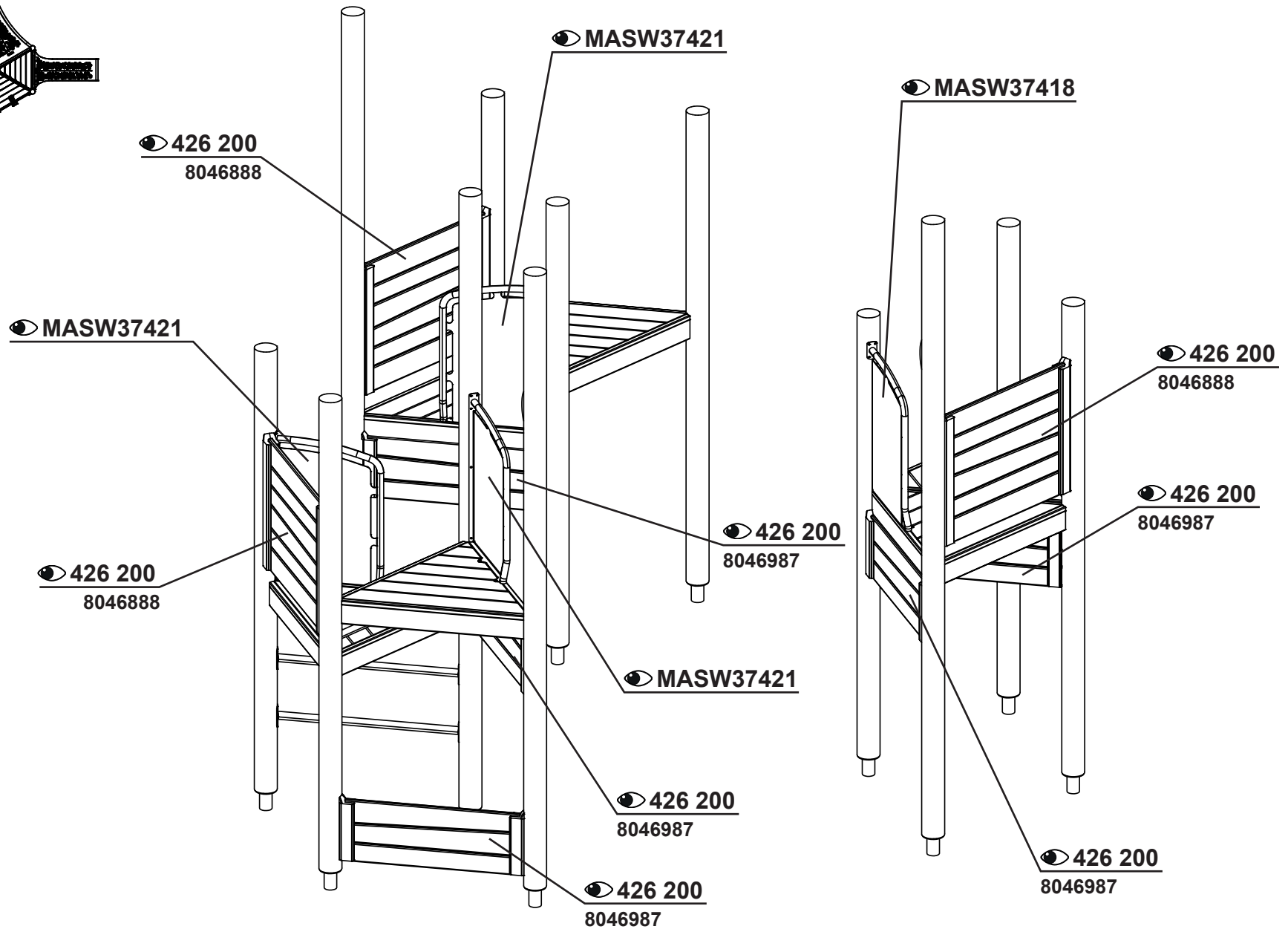
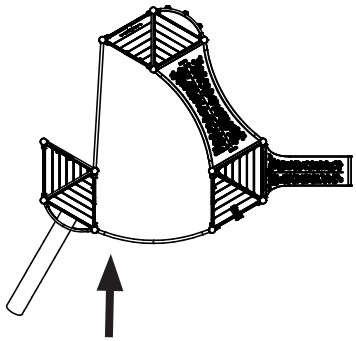
 **MASW39776**
 x2

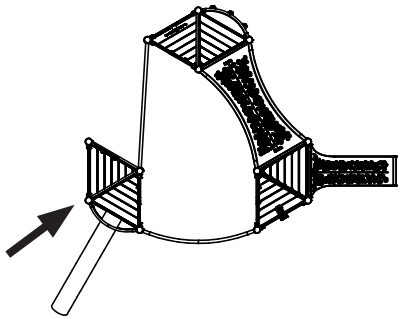
 **426162**
 x6

 **MASW37573**
 +1,30m

 **MASW37573**
 x2



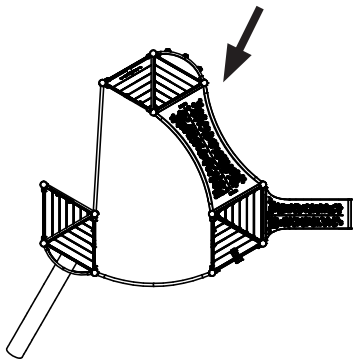




● MASW68012

● MASW67845

● MASW37088

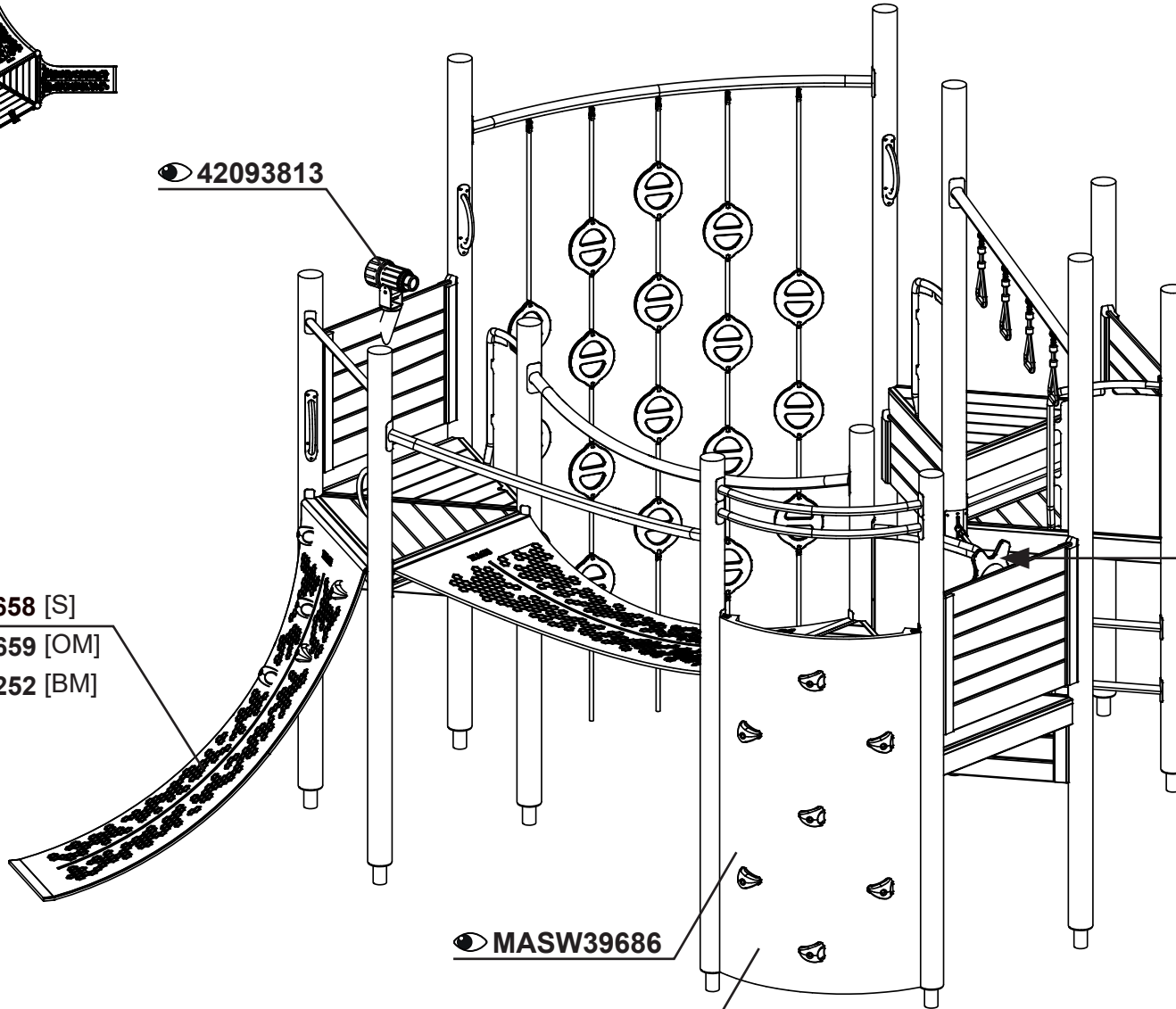


42093813

MASW68658 [S]

MASW68659 [OM]

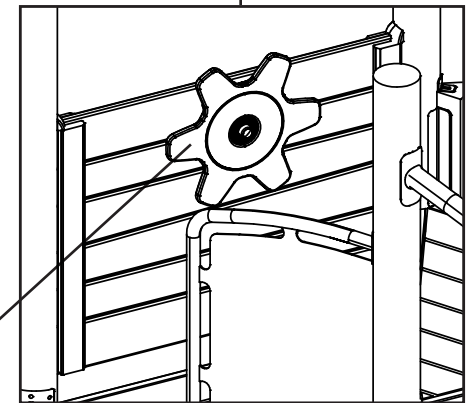
MASW68252 [BM]

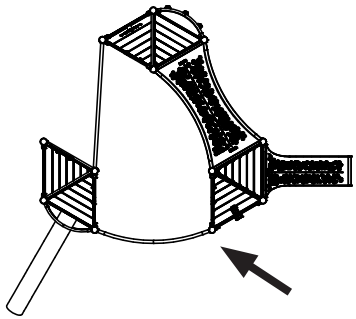


MASW39686

MASW85731

MASW35156





● MASW39102

● MASW39775

x12

● MASW35330

HAGS <small>10000 10000 10000 10000 10000 10000 10000 10000 10000 10000 10000 10000</small>	260329
---	---------------